

The NATIONAL TIME Addressable Analog Multisensor model D900-MSENSOR detector utilizes the powerful DigiComm™ communication protocol which enables reliable and accurate information to be exchanged between the detector and the Fire Alarm Control Panel. The Multisensor Detector combines optical smoke and thermistor temperature sensors whose outputs are combined based on the detector mode selection. The D900-MSENSOR can operate in one of five response modes. Each mode corresponds to a unique fire response behavior. The multisensor detectors set to mode 1 will be most suitable for environments in which sources of unwanted alarms are rare, for example clean rooms and computer suites. At the other extreme, response mode 5 will be suited to more dusty or smoky environments such as loading areas where diesel forklift trucks are operating. Response mode 3 is a general-purpose setting for which the response is similar to that of the corresponding D900-PHOTO detector.

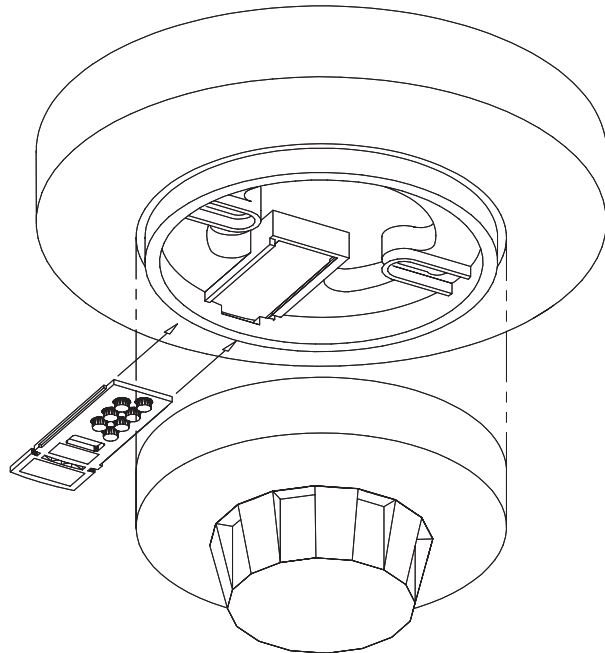
The D900-MSENSOR has a distributed intelligence system where decisions are made in the detector head as well as at the FACP. Drift compensation is incorporated into the detector, allowing it to adapt to dirty or dusty environments, reducing false alarms. The detectors feature programmable status LED indicator. The detector's address is set in its base providing a convenient and trouble free maintenance procedure. The detectors mount to a selection of base styles to accommodate installation requirements



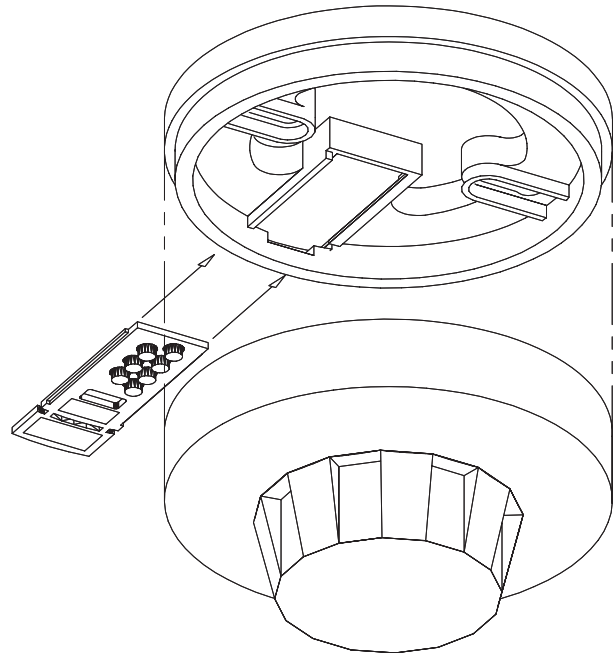
## Features:

- False Alarm Immunity
- Selective Environmental Operation Modes
- Dirty Detector Sense
- Drift Compensation
- Style 4, 6, or 7 Communication Wiring
- Superior DigiComm™ Digital Communication Protocol
- LED Indicator
- Integrated NFPA 72 Detector Sensitivity Self Test

## Mounting Diagrams



Shown with D900-BASE6 and D900-IDENT



Shown with D900-BASE4 and D900-IDENT

## Specifications

**DIGICOMM™ LOOP POWER:** Voltage Range 17VDC to 28VDC  
Alarm and Supervisory  
Current Level: 500uA (3.5mA LED Active)

(Note: add 4mA of Alarm current if using D900-BASE6 SOUND or D900-BASE6 AUX)

**COMMUNICATION:** Style 4, 6, or 7 (via the DigiComm™ Communication Loop)

**FINISH:** White Polycarbonate

**DIMENSIONS:** 4" dia. x 1.65"

**NET WT.:** 3.6 oz.

**MOUNTING:** To *DigiComm™* Detector Bases (see Bulletin F-360)

## Ordering Information

Part No.	Description
D900-MSENSOR	Digicom™ Series Multi-Sensor Detector

See Bulletin F-360 for base styles.